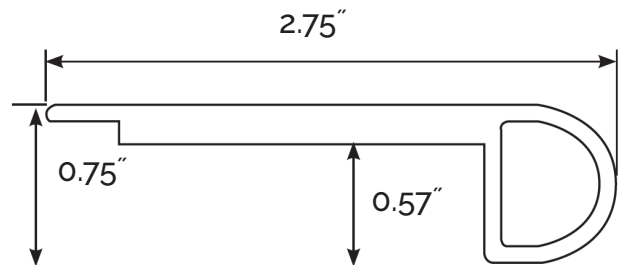


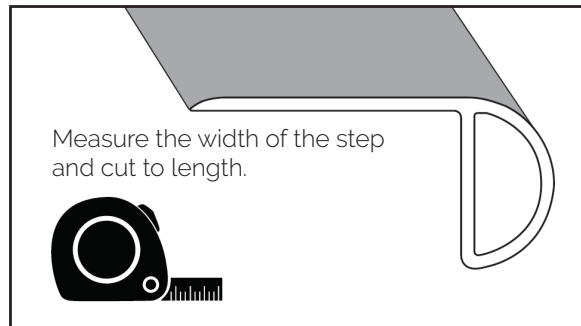
STAIR NOSE (FLUSH)

Stair noses are used to finish the end of a step

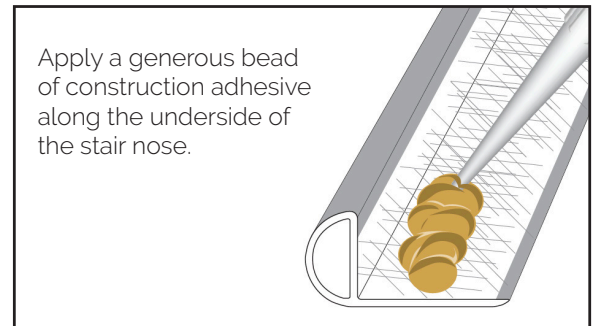


Installation

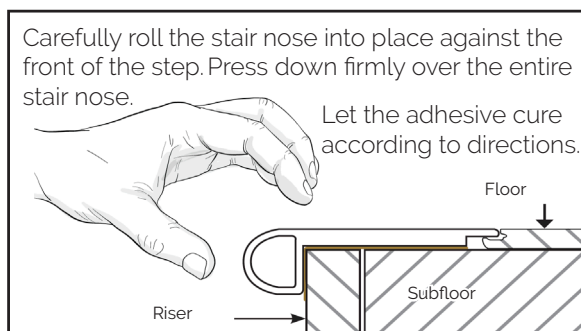
1.



2.



3.



4.

