



PLEASE READ ALL INSTRUCTIONS PRIOR TO INSTALLATION

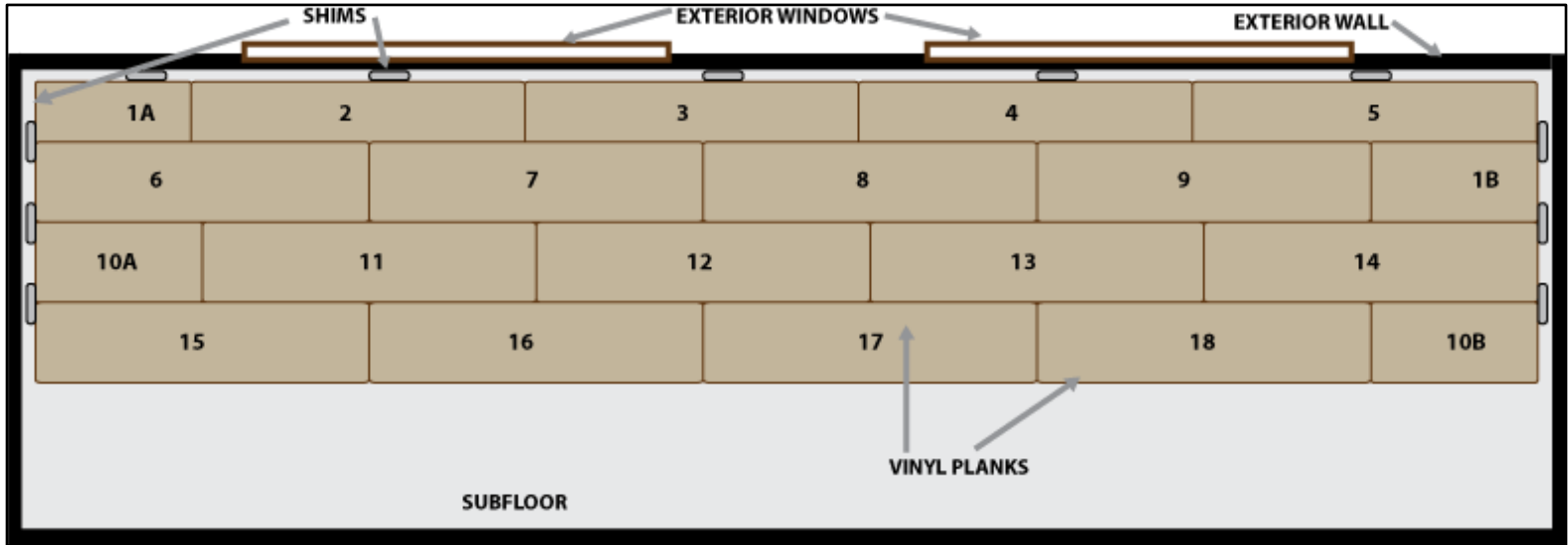


FIGURE 1



FIGURE 2

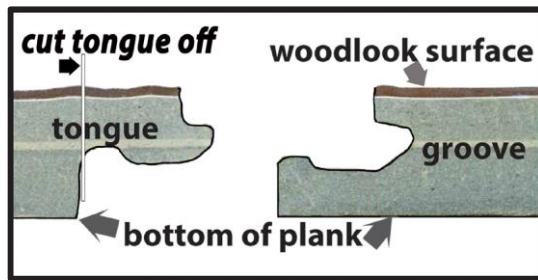


FIGURE 3

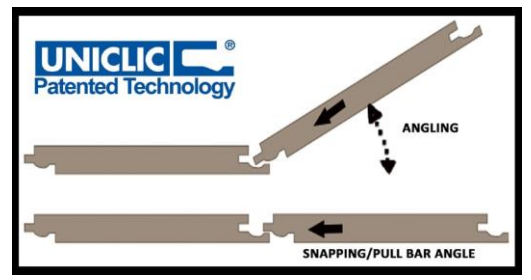


FIGURE 4

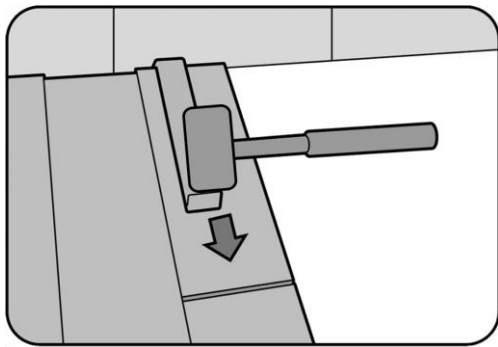


FIGURE 5A

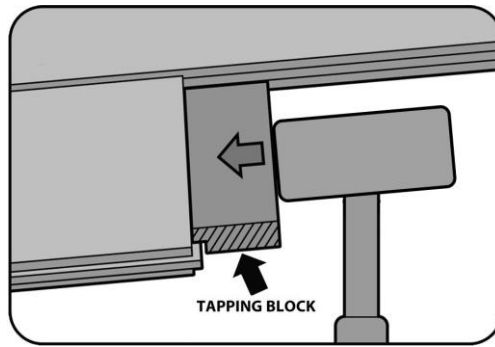


FIGURE 5B

**TOOLS REQUIRED**

- Utility Knife
- Tape Measure
- Straight Edge
- 5/16" Spacers
- Chalk line

**PRIOR TO INSTALLATION**

- This is high quality vinyl floor that if maintained, will last for years. If not protected properly, as with other floor covering such as hardwood and laminate, it will scratch. Scratches may be caused by pets, furniture, rocks from shoes, and many other abrasive items.
- Allow for 5% waste from installation and cut pieces.
- Carefully check flooring material for any defects. Contact your supplier immediately if any defect is found.
- Acclimate flooring in room where it is to be installed at a constant temperature between 65° and 85°F for 48 hours or more before, during, and after installation.
- Remove quarter round, baseboard molding or cove base.
- Undercut doorway moldings to the thickness of the flooring.
- Always store cartons horizontally on a smooth, solid, flat, clean surface.
- Protect carton corners from damage
- Remove all furniture and appliances from room.
- Do not stack higher than ten cartons-do not stack anything on uninstalled vinyl planks.
- Mix in and install planks from several different cartons during installation to insure a random appearance
- Install kitchen cabinets prior to installing Featherweight® Vinyl planks
- Do not install base cabinets or island cabinets on top of the floor
- Do not install in front of patio doors without proper uv window coverings
- Avoid exposure to long periods of direct sunlight. Close blinds or drapes during peak sunlight hours. Long periods of direct exposure can cause the boards to expand or warp jeopardizing the click system and integrity of the floor

\*\*\*Vinyl planks are resistant to water damage, but do not prevent the transmission of moisture. Moisture should not be allowed to collect

on either side of the vinyl flooring to prevent the growth of mold and mildew\*\*\*



**RECOMMENDED USE**

- Residential and light commercial applications
- Interior use only in climate controlled environment
- Not for use on ramps
- Do not install planks over floors that are sloped for drainage.
- Any uneven areas greater than 1/16" in 3' should be leveled with a portland based cementitious patching compound.
- Do not use foam underlayment under Featherweight® VINYL FLOORS. Using foam underlayment will jeopardize the locking system

**WOOD SUBSTRATES**

Wood floors must be double construction with a minimum thickness of 1", free from spring / deflection. Top layer of plywood shall be 1/4" minimum thickness underlayment grade plywood. Recommended underlayments include APA Underlayment Grade Plywood A-C, B-C or C-C plugged, ACCUPLY, SurePly, TECPLY, ULAY, C.S.A. (CanPly) and Proboard. Joist spacing should not exceed 19.2". Use nail set for fasteners exposed above surface. Fill and sand gaps wider than 1/8" wide.

**CONCRETE SUBSTRATES**

Featherweight® may be installed over on grade, above grade, or below grade concrete subfloors. Concrete floors shall be constructed in accordance with the American Concrete Institute (ACI) 302.1 Guide for Concrete Floor and Slab Construction. Concrete shall be finished and cured according to ACI and have a minimum compressive strength of 3500 psi. Installation of moisture vapor barrier is recommended prior to pouring of on or below grade slabs. A 6 mil polyurethane moisture barrier should be used with concrete subfloors. Moisture vapor transmission shall not exceed 3 lbs./1000 sq. ft./24 hours per ASTM F-1869 (Anhydrous Calcium Chloride Test). Moisture may also be tested according to ASTM F 2170 (Standard Test Method for Determining Relative Humidity in Concrete Floor Slabs Using in situ Probes). When tested according to this method, the internal relative humidity shall not exceed 75%. Featherweight® may be installed over gypsum based underlayments.

Refer to the Resilient Floor Covering Institute Website at: <http://www.rfci.com/images/pdf/rfcirecommended9-04.pdf>

**EXISTING FLOORS**

Featherweight® may be installed over most smooth, single layer, hard surface existing flooring (resilient, tile, ceramic, marble, and terazzo. Existing flooring must be moisture free and in good condition. Check flooring for any curled areas around the perimeter or at seams and repair if necessary. Level by using a good quality cementitious based embossing leveler to smooth and fill the existing floor or grout lines. Tile may require several skim coats to achieve a flat surface.

**FEATHERWEIGHT VINYL PLANKS DO NOT CONTAIN HAZARDOUS MATERIAL SUCH AS ASBESTOS OR CRYSTALLINE SILICA.**  
\*\*\*\*\*OLD, EXISTING FLOORS MAY CONTAIN THIS HAZARDOUS MATERIAL\*\*\*\*\*

\*\*\*\*\***WARNING: Do not sand, dry sweep, dry scrape, drill, saw, bead blast or mechanically chip or pulverize any existing resilient flooring, backing, lining felt, or asphaltic "cutback" adhesive. These products may contain asbestos fibers or crystalline silica. Avoid creating dust. Inhalation of such dust is a cancer and respiratory tract hazard. Smoking by individuals exposed to asbestos fibers greatly increases the risk of serious bodily harm. Unless positively certain that the existing product is a non-asbestos containing material, you must presume it contains asbestos. Regulations may require that the material be tested to determine asbestos content. Follow instructions posted in current edition of the Resilient Floor Covering Institute(RFCI) publication "Recommended Work Practices for Removal of Resilient Floor Coverings"**\*\*\*\*\*

**SUBSTRATE PREPARATION**

- All substrates must be dry, clean, smooth, level, free from all existing adhesive residues, and free from movement or deflection.
- The substrate must be level within 3/16" in 10 ft.(4.7 mm in 3 m).
- Fill and level all plywood seams and concrete cracks, construction joints, control joints, depressions, grooves or other irregularities.
- Use a latex fortified, cementitious patching compound.
- Prior to installation of floor, sweep and/or vacuum substrate to remove all dust and debris.

\*\*\*\*\*PLEASE NOTE\*\*\*\*\*

FEATHERWEIGHT® VINYL FLOOR is a floating floor and should not be glued or nailed to the substrate. As with any floating floor, installing with spans over 35 feet in length or 25 feet in width without use of a transition piece will void the warranty. FEATHERWEIGHT® VINYL FLOOR is intended for indoor use only.

**GETTING STARTED**

1. Determine which direction the planks will be installed. To make the room appear larger or if installing in very small rooms or hallways, it is preferable to lay the planks parallel to the longest room dimension.
2. Do not install cabinets on top of planks.
3. Carefully measure the room to determine squareness and to determine the width of the last row of planks. If the width of the last row of planks is less than 2"(50mm), excluding the tongue, the width of first row of planks will have to be cut accordingly.
4. A minimum 5/16"(8.2mm) expansion space is required around the perimeter of the room and all vertical objects (ie. pipes and fixtures).
5. Inspect all planks for visible defects and damage before and during installation. Do not install damaged planks. Feather Lodge® will not accept responsibility for claims on flooring installed with obvious defects. During installation, inspect the groove area and remove any debris that may prevent proper assembly of planks.

**INSTALLATION**

- Begin installation parallel to the long dimension of the room, preferably parallel with the light sources (windows and doors) (see figure 1). Snap a chalk line at the starting point to maintain alignment. Mix in and install planks from several different cartons during installation to insure a random appearance
- Install planks from the left side of the starting wall and work to the right side. If starting with a full width plank, the tongue must be removed (figure 3). To trim planks, use a Utility knife and a straight edge. Score the top surface of the plank, flex it downward to separate pieces. The tongue side of the plank always faces the starting wall. Place 5/16"(8.2mm) spacers between the short and long side of the planks and the wall. Always position one spacer between the wall and where the planks join.
- The end joints of the planks in the first row are assembled by inserting the tongue side into the groove side of the previous plank at a



## FEATHERWEIGHT® Uniclic™ Luxury Vinyl Installation Sheet

low 20-30° angle. Gradually lower the plank down flat, applying pressure inward and downward, until the end joint closes, insuring that the planks are perfectly aligned. Install remaining full planks in the first row.

- The last plank in the first row may need to be cut. Measure the distance between the wall and the surface of the last full plank. Subtract 5/16" (8.2mm) from this measurement to allow for the spacer. If this measurement is less than 8" (20.3cm) in length, trim first plank and last plank, each no less than 8". Planks are cut using a sharp utility knife and straight edge or carpenter's square. Score the surface of the plank with a utility knife, and then snap the plank at the score line.
- The remaining piece cut off from the last plank in the first row may serve as the first plank in the second row provided it is at least 8" (20.3cm) long. Always stagger end joints from row to row a minimum of 8" (20.3cm) (see figure 1).
- Install the long side of the first plank of the second row. Remember to place a 5/16" (8.2mm) spacer between the wall and the short side of the plank. Insert the tongue side into the groove side of the previous row at a low angle and lower flat to the substrate.
- Install the second plank of the second row. Position the long side of the plank with the tongue side overlapping the groove of the planks in the previous row approximately 1/8". Then, angle the end joint into the previous plank. Angle the plank down and gently push in until the plank locks into the previous row (see Figure 2). Continue installing remaining planks in second row. It is important to make sure that the first two rows are straight and square or this will adversely effect the entire installation (figure 1)
- Continue working from left to right, row by row. Be sure to maintain a 5/16" space around all walls and vertical objects and maintain a random appearance. Offset end joints a minimum of 8" (20.3cm).
- Featherweight® Glueless LVT planks are unique in that they can also be installed with a pull bar or tapping block and rubber mallet in difficult areas, such as the last row, and when fitting around door trim. Use a pull bar and rubber mallet to lock the joints together in the last row. Always use a pull bar on the cut edge of the plank. Factory edges can be damaged if the pull bar is used directly against them (figure 5 A and B).
- When fitting around door trim it will be necessary to slide the plank under the trim. This can be accomplished easily by starting the row on the side of the room with the door trim and then sliding the plank into place once it is attached. The row can be completed by inserting the tongue in to the groove or the groove into the tongue depending on the direction. A special Uniclic™ approved tapping block and pullbar can also be used to lock the joints together while the planks are in a flat position. Use a series of light taps until the joint is gradually locked together (figure 5A and 5B).

### FINISHING THE INSTALLATION

- After all planks have been installed, remove spacers from perimeter of room.
- Install transition moldings. Do not fasten any moldings through the flooring.
- Pre-drill and install quarter round or baseboard molding. Molding must be sufficient size to cover the 5/16" (8.2mm) space. Do not fasten moldings through the flooring. Fasten into the wall.
- If not covering exposed edges with trim, fill the gap with a high quality silicone caulking.
- Use plywood to cover the top of the flooring when moving heavy furniture or appliances into position.
- Use proper floor protectors under the legs of furniture.
- Post installation temperature must be maintained between 65° and 85°F. Relative humidity must be maintained between 40% and 70%.

### BATHROOMS

When the LVT planks are installed in a bathroom, the flooring can be laid under the toilet only if the floor is separated from adjacent rooms with a doorway threshold. Otherwise the flooring should be installed around the toilet leaving a 1/8" expansion space. Use a high quality silicone caulking to fill the expansion space at the tub, shower and all wet areas to prevent surface water seepage under the floor.

### STAIRS

Featherweight® Glueless LVT planks can be installed fully adhered over steps using a high quality pressure sensitive luxury vinyl tile adhesive. Follow the instructions on the adhesive for trowel size and drying time. Always use a flush stair nose molding to finish each step at the nose.

### FINISHING THE JOB

Remove all spacers. Install wall trim lightly over the floor surface. Drive fasteners into the wall and not the floor. When installing transitions or moldings, do not interfere with the free movement of the flooring - do not squeeze flooring with transitions or wall base. Do not drive fasteners in to the floor. Return appliances to the room by rolling or sliding over strips of hardboard to prevent damaging the floor.

### FLOOR CARE

- Frequently moved furniture should be equipped with felt pads to avoid scratching the floor. Heavy furniture and appliances should be equipped with non staining large surface floor protectors. Furniture with castors or wheels must be easy swiveling, large surface non-staining and suitable for resilient floors. Do not use ball type castors as they can damage the floor.
- Use walk off mats at entrances to prevent dirt and grit from being tracked on to the floor.
- Sweep or vacuum the floor regularly to remove loose dirt. Avoid using a vacuum with a beater bar.
- Clean up spills immediately.
- Damp mop as needed using clean water and a diluted vinyl floor cleaner. We recommend the BONA™ line of products. Do not use harsh cleaners or chemicals on the floor.
- Avoid exposure to long periods of direct sunlight. Close blinds or drapes during peak sunlight hours

Featherweight®, and Feather Lodge® are registered trademarks of TP Brands, Intl, LLC.

Featherweight® planks are luxury vinyl click tile planks, part of the Feather Lodge® family of responsibly built building products.

Unilin™ and Uniclic™ are names licensed under Unilin Flooring, LLC.

For further information, visit our website @ [www.featherlodge.com](http://www.featherlodge.com)

